

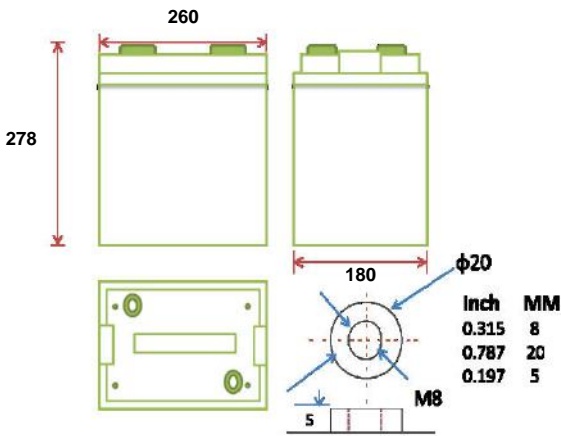
6- EFSL -260, 6V 260Ah@20HR



**Azimuth
Solar
Products Inc.**

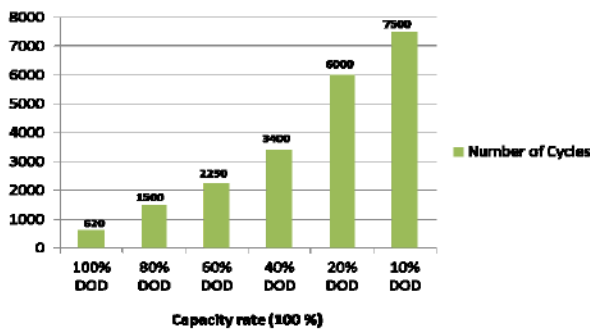
Azimuth Solar Products Inc.
Tel: 236-420-4228
Toll-Free: 1-888-252-2452
info@azimuthsolar.ca

DIMENSION

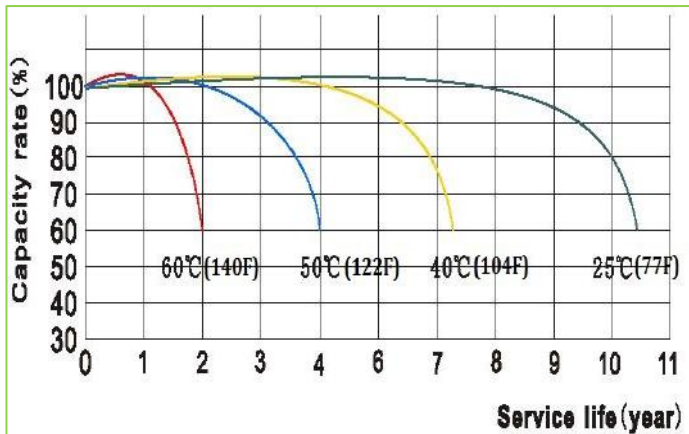


CYCLE LIFE GRAPH (25°C/77°F)

Cycle life graph (25°C/77°F) 12V



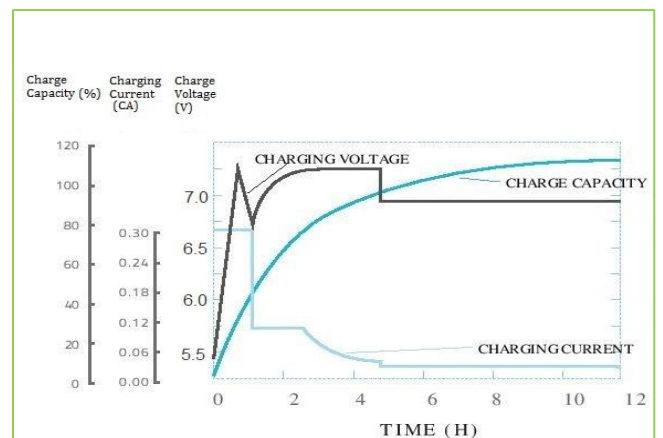
TEMPERATURE & FLOAT SERVICE LIFE



SPECIFICATIONS

Nominal Voltage	6V	
Rated Capacity (20 hour rate)	260AH	
Dimension	Total Height (with terminals)	278 mm (10.94 Inch)
	Height	270 mm (10.62 Inch)
	Length	260 mm (10.23 Inch)
	Width	180 mm (7.08 Inch)
Weight	Approx.	33 Kg/72.69 lbs.
Capacity (77°F/25°C)	10 hour rate (24A)	240AH
	5 hour rate (40A)	200AH
Internal Resistance (77°F/25°C)	Full Charged Battery	≤2.0mΩ
Self-Discharge (77°F/25°C)	After 3 months Storage	95%
	After 6 months storage	85%
	After 12 months storage	80%
Max Discharge Current (77°F/25°C)	1800A(5S)	
Terminal	Standard	F4
	Optional	
Charging (Constant Voltage)	Cycle	7.3V-7.4V (77°F/25°C)
	Float	6.8V-6.9 V (77°F/25°C)

CHARGE CHARACTERISTIC 25°C (77°F)



Soneil Chargers Recommended

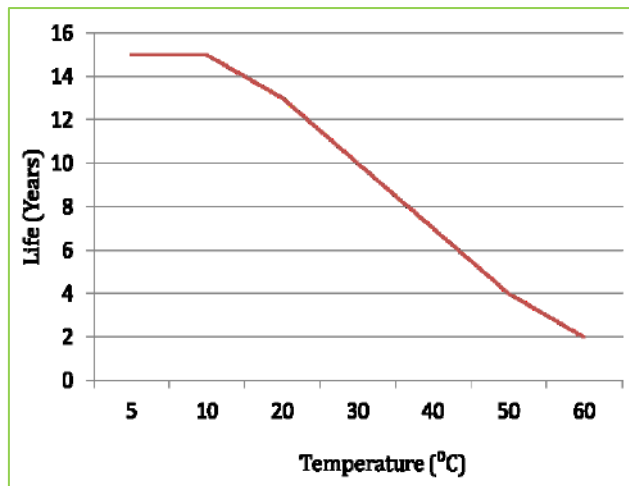
CONSTANT CURRENT DISCHARGE CHARACTERISTICS UNITS AMPERES (25°C/77°F)

End Voltage per cell (V)	Time (Mins)														
	5	15	30	45	60	120	180	240	300	360	480	600	720	1200	1440
1.60	880.70	466.08	281.62	205.31	165.36	94.74	68.81	53.96	46.03	39.12	29.83	24.83	20.84	13.57	11.08
1.67	818.50	450.82	277.44	203.90	165.07	94.34	67.56	53.69	45.36	38.84	29.79	24.55	20.81	13.53	11.04
1.70	810.14	443.90	274.66	201.15	163.70	93.50	67.14	53.41	44.67	38.43	29.69	24.55	20.74	13.48	11.03
1.75	742.18	429.98	271.92	199.78	160.92	91.70	66.86	52.73	44.25	38.15	29.55	24.28	20.64	13.43	11.02
1.80	665.86	402.24	260.78	194.21	156.76	90.31	66.59	52.58	43.70	37.73	29.41	24.00	20.53	12.97	10.99
1.83	636.48	369.02	256.66	187.30	149.83	89.48	63.95	50.36	42.73	36.35	28.79	23.03	19.70	12.83	10.85
1.85	596.45	357.89	240.00	180.35	145.66	85.87	62.29	49.66	41.62	35.14	28.44	22.75	19.42	12.69	10.75

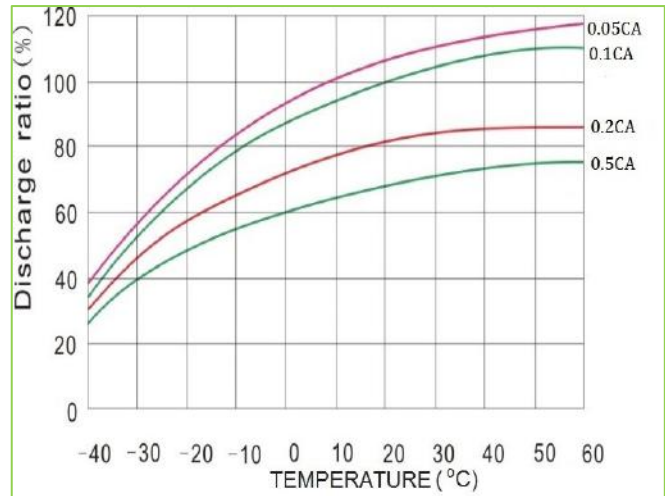
DISCHARGE DATA WITH CONSTANT POWER UNITS: WATTS PER CELL (25°C/77°F)

End Voltage per cell (V)	Time (Mins)														
	5	15	30	45	60	120	180	240	300	360	480	600	720	1200	1440
1.60	1471.67	818.39	527.10	384.22	309.09	178.94	130.80	103.62	87.53	75.18	57.98	48.00	40.36	26.91	22.06
1.67	1400.95	805.90	505.78	381.45	308.06	178.94	129.14	103.48	87.53	75.04	57.98	47.85	40.36	26.91	22.06
1.70	1392.62	800.35	504.60	381.45	306.53	177.55	128.39	103.10	86.14	74.49	57.56	47.44	39.95	26.77	22.05
1.75	1296.92	790.63	503.29	381.45	305.16	176.16	127.02	102.92	85.86	73.93	57.29	47.12	39.95	26.77	21.92
1.80	1190.14	750.41	495.19	374.51	303.78	176.16	125.32	102.65	85.31	73.93	57.15	46.88	39.95	26.08	21.91
1.83	1148.51	689.38	491.03	363.42	291.29	174.77	123.27	99.18	84.33	71.57	57.15	45.50	39.25	25.80	21.78
1.85	1063.89	674.12	456.35	349.57	282.97	170.61	121.37	97.93	81.98	70.19	54.93	45.08	38.56	25.52	21.64

FLOAT SERVICE LIFE CURVE GRAPH



TEMPERATURE AND DISCHARGE CAPACITY



“Specifications subject to change without notice “



1050 Richter Street
Kelowna, BC V1Y 2K5
www.azimuthsolar.ca